



Antenna Specification Sheet

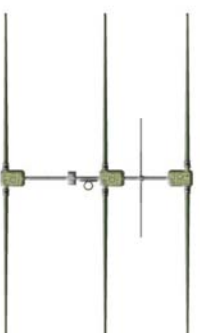
Item	Dipole 20m-6m	Dipole 40m-6m	2 element Yagi	3 element Yagi	4 element Yagi	DB11 Yagi	DB18 Yagi	DB18E Yagi	DB36 Yagi	DB42 Yagi MonstIR PRO	40m - 30m Dipole Option	BigIR III Vertical	Small IR Vertical
Weight	15 lb 6.80 kg	25 lb 11.4 kg	30 lb 13.6 kg	51 lb 23.1 kg	99 lb 45.0 kg	63 lb 28.57 kg	96 lb 43.5 kg	110 lb 50 kg	160 lb 72.8 kg	238 lb 108 kg	15 lb 6.80kg	15 lb 6.8 kg	12 lb 5.4 kg
Max. Wind SurfaceArea	1.9 sq ft 0.17 sq m	3.8 sq ft 0.34 sq m	4.0 sq ft 0.37 sq m	6.1 sq ft 0.57 sq m	9.7 sq ft 0.90 sq m	5.9 sq ft 0.54 sq m	10.1 sq ft 0.93 sq m	12.1 sq f 1.12 sq m	17.5 sq ft 1.63 sq m	19.9 sq ft 1.85 sq m	2.0 sq ft 0.19 sq m	1.9 sq ft 0.17 sq m	1.0 sq ft 0.9 sq m
Wind Rating	100 MPH 160 KPH	100 MPH 160 KPH	100 MPH 160 KPH	100 MPH 160 KPH	100 MPH 160 KPH	100 MPH 160 KPH	100 MPH 160 KPH	100 MPH 160 KPH	100 MPH 160 KPH	100 MPH 160 KPH	100 MPH 160 KPH	50-MPH *100MPH w/2 guys	100 MPH 160 KPH
Longest Element	36 ft 10.97 m	36 ft 10.97 m	36 ft 10.97 m	36 ft 10.97 m	36 ft 10.97 m	19 ft 5.79 m	39 ft 11.9m	39 ft 11.9 m	49 ft 14.9 m	49 ft 14.9 m	39 ft 11.9 m	33 ft 10.05 m	18 ft 5.49 m
Power Rating	3000 Watts	3000 Watts	3000 Watts	3000 Watts	3000 Watts	3000 Watts	3000 Watts	3000 Watts	3000 Watts *1500 w w/80m opt.	3000 Watts *1500 w w/80m opt.	3000 Watts	3000 Watts	3000 Watts
Boom Length	—	—	57 in 1.44 m	16 ft 4.87 m	32 ft 9.75 m	11 ft 3.35 m	19 ft 5.79m	19 ft 5.79 m	36 ft	42 ft 8 in 13.0 m	—	—	—
Boom Diameter	—	—	1.75 in 4.45 cm	1.75 in 4.45 cm	1.75—2.50 in 4.45—6.35cm	1.75 in 4.45 cm	1.75—2.0 in 4.45—5.08cm	1.75—2.0 in 4.45—5.08cm	1.75—2.5 in 4.45—6.35cm	1.75 - 3 in 4.45—7.62cm	—	—	—
Mast Diameter	2.0 in 4.45 cm	2.0 in 4.45 cm	2.0 in 5.08 cm	2.0 in 5.08 cm	2.0 in 5.08 cm	1.75 - 3 in 4.4-7.6 cm	1.75 - 3 in 4.4-7.6 cm	1.75 - 3 in 4.4-7.6 cm	1.75 - 3 in 4.4-7.6 cm	1.75 - 3 in 4.4-7.6 cm	—	1.5 in / 3.81 cm	1.5 in / 3.81 cm
Frequency Coverage	13.8—54.0 MHz	6.8—54.0 MHz	13.8—54.0 MHz *40/30 opt. avail.	13.8—54.0 MHz *40/30 opt. avail.	13.8—54.0 MHz *40/30 opt. avail.	13.9—54.0 MHz	6.8—54.0 MHz (2E on 30m)	6.8—54.0 MHz (3E on 30m)	6.8—54.0 MHz *80m opt. available	6.8—54.0 MHz *80m opt. available	6.8—13.8 MHz	6.8—54.0 MHz *80m coil opt. avail. (1500w)	13.8—54.0 MHz *80/40/30 & 40/30 coils avail
Turning Radius	18 ft 5.48 m	19.5 ft 5.95 m	18.15 ft 5.53 m	19.7 ft 6.0 m	24.1 ft 7.35 m	10.5 ft 3.20m	21.58 ft 6.57 m	21.58 ft 6.57 m	26 ft 8.0 m	29 ft 8.8 m	NA Option for 2, 3, & 4E Yagi	—	—
Cable Re- quirements (shielded)	4 Wire 22 AWG	4 Wire 22 AWG	12 Wire 22 AWG	12 Wire 22 AWG	16 Wire 22 AWG	16 Wire 22 AWG	16 Wire 22 AWG	16 Wire 22 AWG	*16 Wire 22 AWG	24 Wire 22 AWG	—	4 Wire 22 AWG	4 Wire 22 AWG
Balun In- cluded?	No (optional)	No (optional)	Yes	Yes	Yes	Yes	Yes	Yes	Yes	Yes	Yes	No (optional)	No (optional)



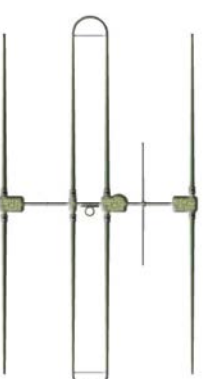
2E 20m-6m



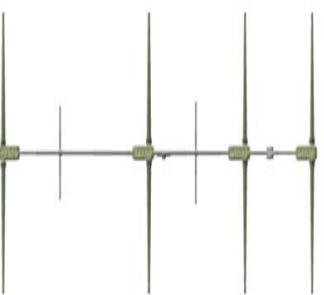
2E 40m-6m



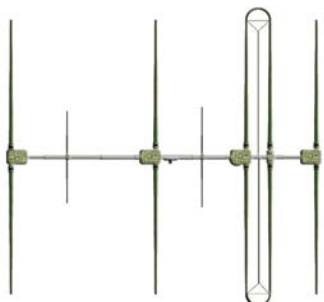
3E 20m-6m



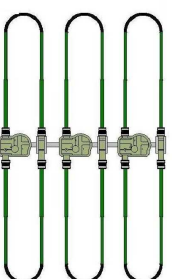
3E 40m-6m



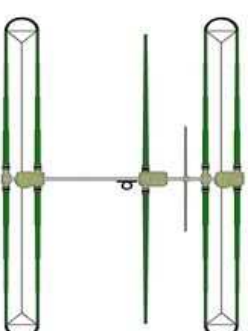
4E 20m-6m



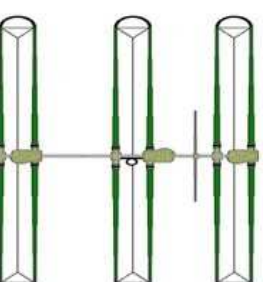
4E 40m-6m



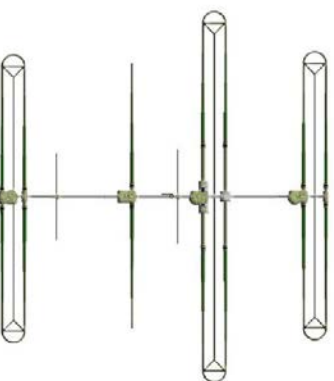
DB11 40m-6m



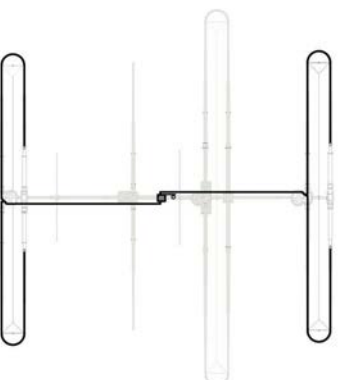
DB18 40m-6m



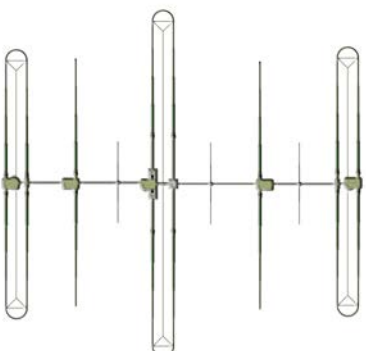
DB18E 40m-6m



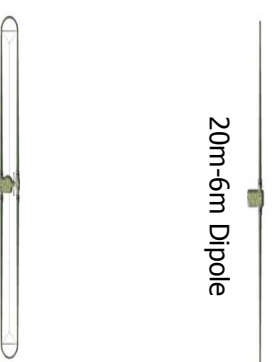
DB36 40m-6m



80m option (DB36 and DB42)



DB42 40m-6m



20m-6m Dipole

40m-6m Dipole



BigIR



SmallIR