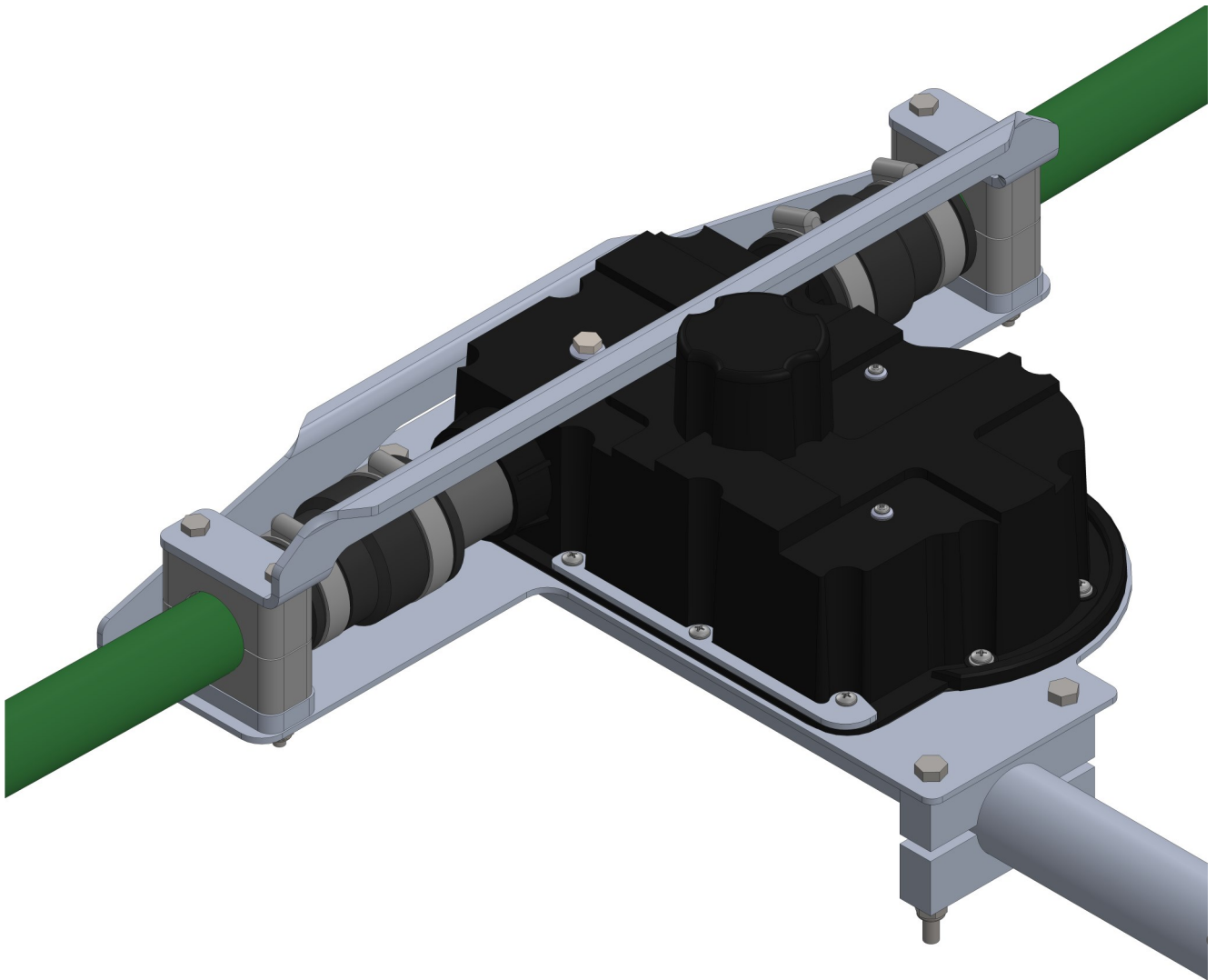




# ***Reinforced DB Mounting Plate Upgrade Installation Instructions***



# PARTS CHECKLIST

**It is important that you do an inventory of the items that were shipped to you.** We do our very best to ensure that you receive everything needed for construction of your antenna, but better to be safe than sorry—inventor your parts well in advance of your installation.

00714

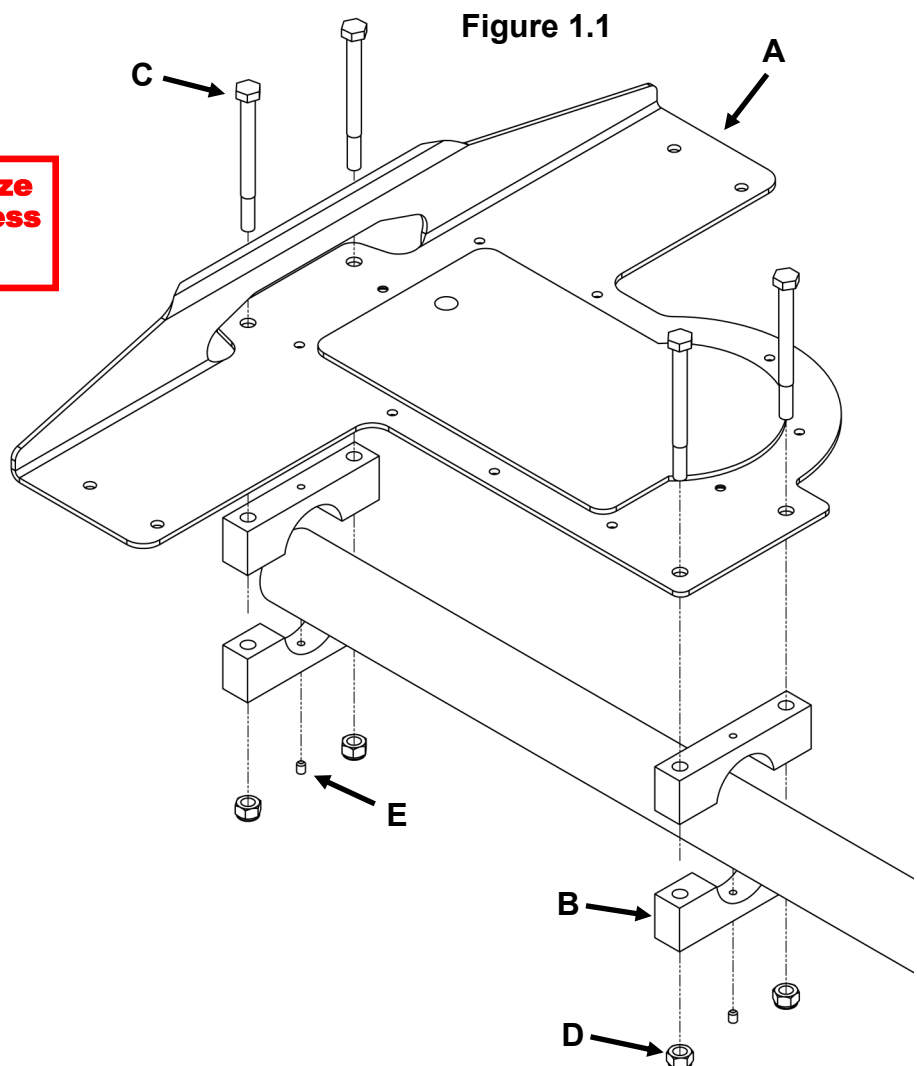
## EHU Reinforced Mounting Plate Assembly Upgrade

✓	QTY	PART #	DESCRIPTION
	1	70-2030-21	DB Mounting Plate w/ Reinforcement Wings and Foam Mounting Guide
	1	10-1609-11	DB Mounting Plate Upper Reinforcement Bracket
	1	10-1609-21	EHU Shell Flange Reinforcement Bracket, Side
	1	10-1609-31	EHU Shell Flange Reinforcement Bracket, Top
	2	10-1612-02	Resin Clamp Spacer
	2	60-7019-11	Resin Clamp, 1.5" (set)
	5	60-0100	Bolt, 1/4 -20 X 3-1/2", Hex Head, SS
	5	60-0030	Nut, 1/4"-20, Nylock, SS
	11	60-0019	Nut, 10-32, Nylock, SS
	8	60-0018	Washer, 10-32, Flat, SS
	1	10-1502-12	EHU Gasket, for Black Housing w/ drain hole, Updated spacing
	3	60-0017-10	Screw, 10-32 x 7/8", Flathead, Phillips, S/S
	11	60-0061	Screw, 10-32 7/8", Panhead, S/S

## Section 1.1: Install the DB Mounting Plates

- Install the DB mounting plate according to **Figure 1.1** below.
  - Secure all plates so that you can still rotate them in order to level them to one another.
  - Level one of the plates such that it is perpendicular to your mast plate.
  - Level the remaining plates to the first one then firmly tighten the 5/16" hardware.
  - Verify the plates are still level to one another and perpendicular to your mast plate. If they have shifted, fix it.
  - Install the set screws and tighten firmly.
- **Items B, C, and E not included as they are antenna type specific and can be re-used from your existing antenna.**

KEY	QTY	PART #	DESCRIPTION
A	1	70-2030-21	DB Mounting Plate w/ Reinforcement Wings and Foam Mounting Guide
B	4	10-1601-XX	Aluminum Saddle Half (size will vary based on antenna)
C	4	60-XXXX	Bolt, 5/16"-18, hex head, SS (Length will vary based on antenna)
D	4	60-0046	Nut, 5/16"-18, Nylock, SS
E	2	60-0112	Set Screw, 10-32 x 1/4", Cup Point, SS



# ATTACHING THE EHU TO THE DB MOUNTING PLATES

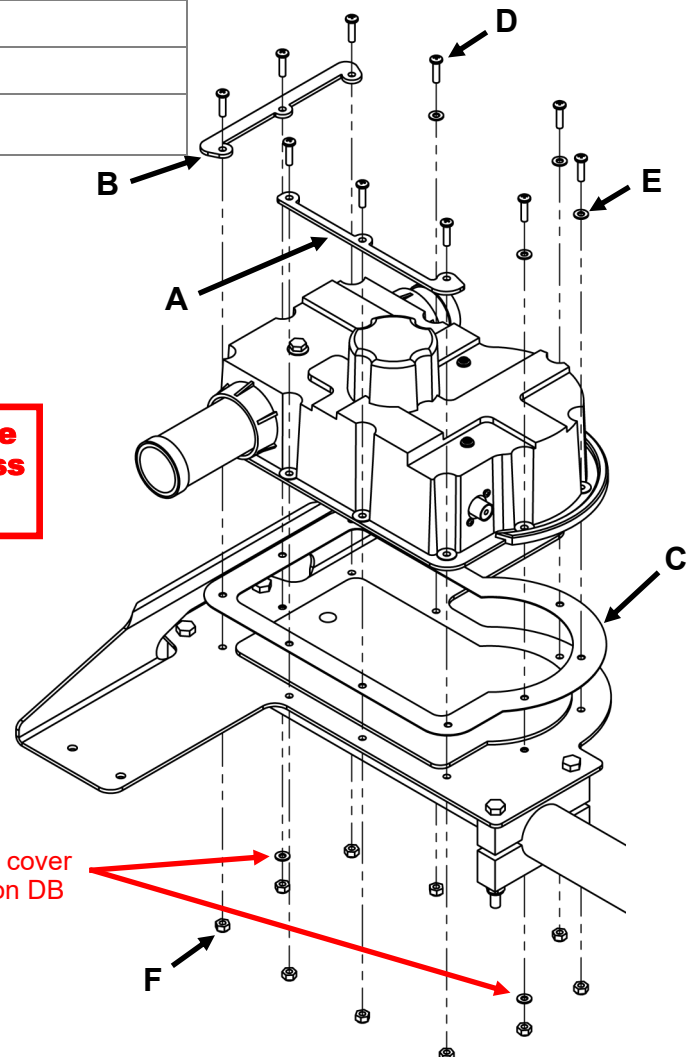
## Section 2.1: Mounting the EHUs to the Boom

- Refer to the center-to-center measurements of the assembly manual for your antenna when installing each of the EHU's DB mounting plates. The EHU should already be wired before placing it on the DB mounting plate.
- Place the EHU gasket onto the mounting plate as shown in **Figure 2.1**. Remove all chads from the gasket holes if they are present. Align the gasket with the holes on the mounting plate.
- Place the EHU onto the gasket/mounting plate, then the EHU flange reinforcements across the top and side of the EHU.
- Attach the EHU to the DB mounting plate using the #10 x 7/8" machine screws, #10 flat washers #10 Nylock nuts. Note that there are no flat washers on the flange reinforcements. Be sure that the flat washer is between the machine screw head and the EHU housing. If your plate has counter sunk holes on the bottom of it then place flat washers in-between the plate and nut.
- Tighten the Nylock nuts enough to compress the gasket material but do not over tighten or you can crack the plastic EHU housing. It is best to tighten the nuts three times, with the final tightening being the most aggressive. Let the EHU sit 15 minutes in between tightening.
- Verify that the center-to-center distances for each of the EHU's is as specified for your antenna.

Key	Qty	Part #	Description
A	1	10-1609-21	EHU Shell Flange Reinforcement Bracket, Side
B	1	10-1609-31	EHU Shell Flange Reinforcement Bracket, Top
C	1	10-1502-12	Gasket, for Black Housing EHU Updated spacing
D	10	60-0061	Screw, 10-32 7/8", Panhead, S/S
E	6	60-0018	Washer, 10-32, Flat, S/S (5c)
F	10	60-0019	Nut, 10-32, Nylock, S/S

**Figure 2.1**

**Use anti-seize on all stainless hardware!**

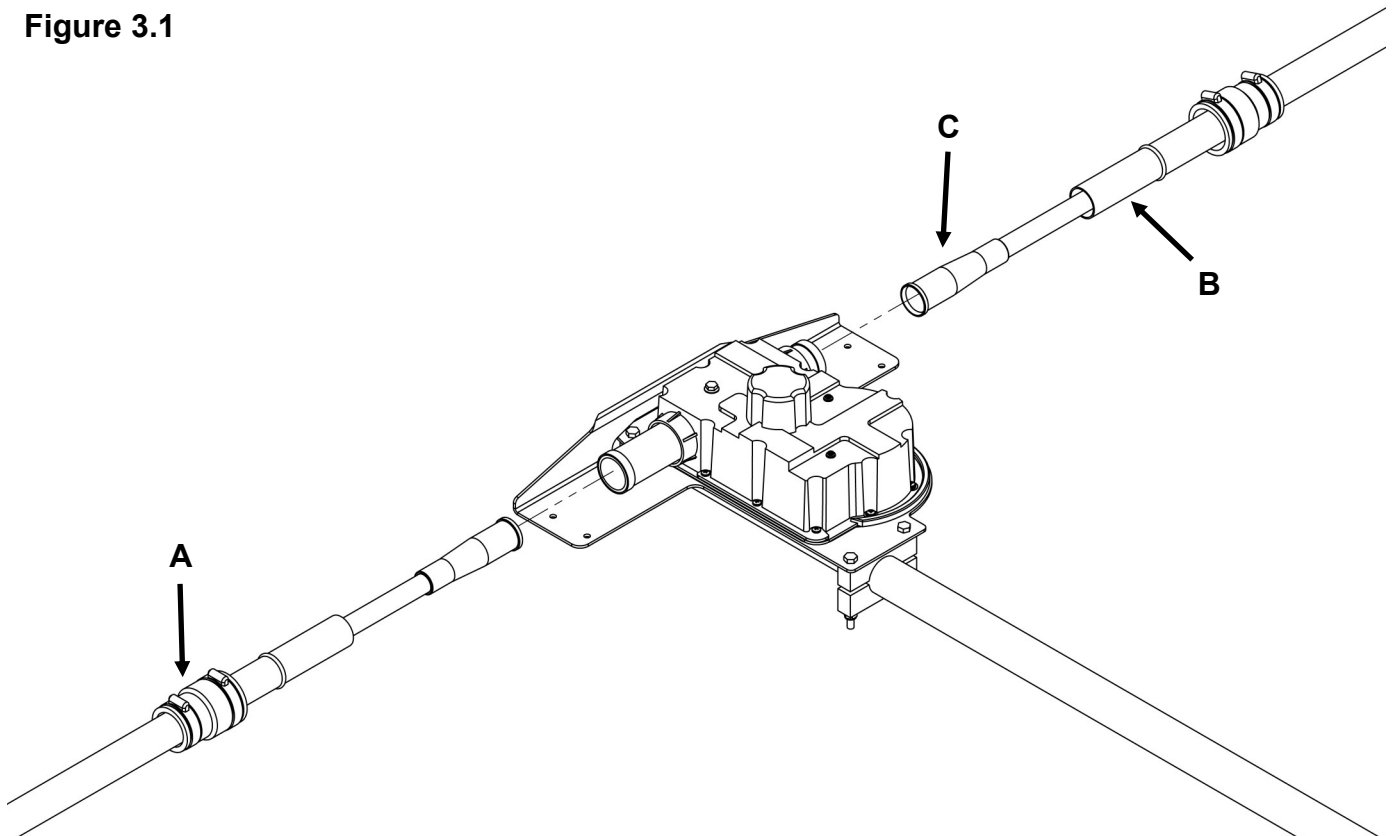


### Section 3.1: Securing the Telescoping Poles to the EHU's

When the CPVC inner guide tubes are completed per the instructions of your antennas assembly manual, they will need to be inserted into the telescoping poles and secured to the 40m loop EHU's. **Figure 3.1** below gives an overview of this procedure.

This drawing shows the EHU placement for the Driven and or looped elements, the procedure is the same for the straight element(s), **except the straight element(s) do NOT have the guide tubes**. The parts required for the looped element EHU Assembly are shown in the table below.

Figure 3.1



Key	QTY	Part #	Description
A	2	10-1006-22	Quick disconnect boot
B	2	10-1013-02	Telescoping pole
C	2	NA	Inner guide tube assembly consisting of diverter cone , 39-7/8" and 49" CPVC Plastic tube, glued together. <b>(NOT USED FOR THE STRAIGHT ELEMENTS)</b>

### Section 3.2: Attaching the DB Mounting Plate Upper Reinforcement Bracket

- Install the DB mounting plate upper reinforcement bracket on all EHU's according to **Figure 3.2** below.
- First slide the resin clamp spacer (B) and resin clamp half (A) under the telescoping pole together. **This might be a tight fit so flex the plate down slightly to allow the spacer and clamp to slide under the pole.** Align the spacer and clamp with the holes in the plate.
- Place the other half of the resin clamp on top of the telescoping pole and align with the lower resin clamp.
- Place the DB mounting plate upper reinforcement bracket across the EHU and insert the 1/4"-bolts through the assembly. You may need to use a skinny screwdriver to get all the holes in the assembly to align properly. Tighten the 1/4" Nylock nuts firmly.

Key	Qty	Part #	Description
A	2	60-7019-11	Resin Clamp, 1.5" (set)
B	2	10-1612-01	Resin Clamp Spacer
C	5	60-00-30	Nut, 1/4"-20, Nylock, S/S
D	5	60-0100	Bolt, 1/4 -20 X 3-1/2", hex head, S/S
E	1	10-1609-11	DB Mounting Plate Upper Reinforcement Bracket



**Figure 3.2**

