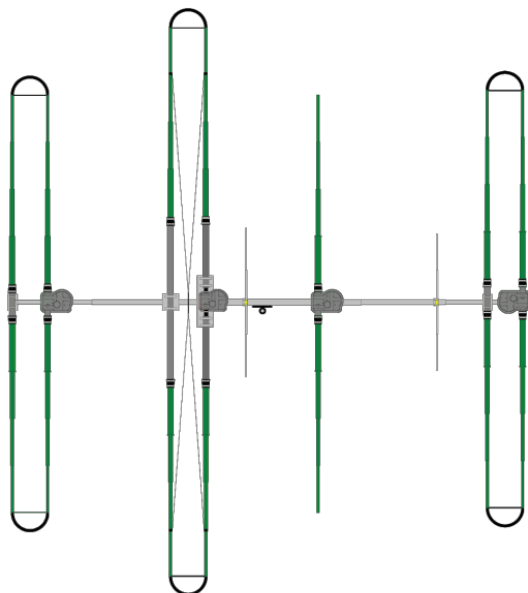


# DX

## The SteppIR Advantage

### DB36 40-6m 4 Element Yagi

The DB36 Yagi is unique among the Dream Beam series antennas in that it has a single feed line, and no relays inside the EHU's. The DB36 has a 49 ft looped driven element. This patented design allows us to make the end loop elements only 39 feet long, yet the performance is as if all 3 of the loop elements are 49 feet long. The folded dipole loop technology lets the footprint be 40% less than that of a full sized Yagi. There are 3 active elements on 40/30m and 4 active elements on 20m-6m. The DB36 has a optional 80M dipole that allows for full coverage of the 80M band. The dipole runs parallel to the boom and uses the end elements as capacity hats, creating zero interaction with the rest of the antenna.



### DB42 40-6m 5 Element Yagi

The DB42 MonstIR Pro is currently the largest of the DB series of Yagi antennas, with five active elements on 20m-6m and three active elements on 40/30. For those who aspire to the pinnacle of performance, the DB42 provides coverage from 80m through 6m (with optional 80m dipole kit). The dipole runs parallel to the boom and uses the end elements as capacity hats, creating zero interaction with the rest of the antenna. The DB42 has a 49 ft looped driven element. This patented design allows us to make the end loop elements only 39 feet long, yet the performance is as if all 3 of the loop elements are 49 feet long. The folded dipole loop technology lets the footprint be 40% less than that of a full size Yagi.

