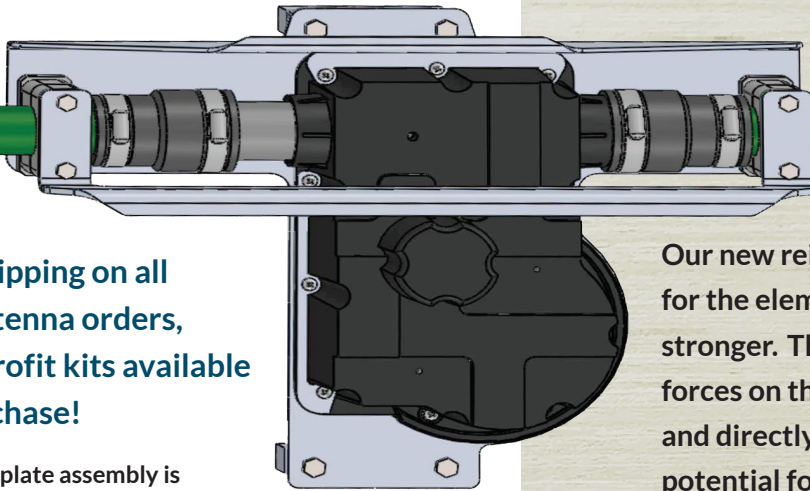


We are on a QUEST

to create the highest performing AND most reliable antennas available on the market

NEW REINFORCED DB MOUNTING PLATE ASSEMBLY



Now shipping on all new antenna orders, and retrofit kits available for purchase!

Mounting plate assembly is available for DB series Yagis only.

Our new reinforced DB mounting plate assembly for the element housing unit (EHU) is significantly stronger. This design redirects stress from the forces on the fiberglass poles away from the EHU and directly to the boom, greatly reducing the potential for damage in high winds or ice loading!

Over the last 4 years, our engineering, manufacturing, and production team have spent countless hours working on and introducing significant improvements to all our antenna products. The new reinforced DB mounting plate assembly is a great example of our commitment to create the highest performing AND most reliable antenna systems in the world.

SteppIR antennas have long been considered premium products vs what else is available on the market, but that performance comes quite literally at a cost – our products are expensive to manufacture and there is no getting around that. On June 15th, most consumer prices will increase by up to 20%, depending on the product – we are reviewing line item by line item for pricing that will be realistic for SteppIR to continue to offer best-in-class products, while having as little impact as possible for our customers. We are implementing this new pricing mid-year, to give everyone time to get those Spring-time antenna projects completed at the lower price.

73 from all of us at SteppIR and thank you for your past, present and future support!



FOR DETAILS ON PRODUCTS AND TO ORDER: www.steppir.com 425-453-1910